

- On-Board Memory for up to 20,000 Cardholders/7,000 Events with battery-less backup
- 12 Inputs (Supervised or Unsupervised)
- 8 Form-C Relay Outputs with support for 16 External ADA-10/11 Digital Relay Modules for increased security
- RS-485, RS-232 or Ethernet communication
- 8 Facility Codes/Card Formats
- 38 Access Levels per card
- 3-color LED Support

Intelligence, flexibility, reliability...

Apollo's AIM-4SL Downloadable Reader Interface provides mission-critical performance for the most sensitive Access Control Systems throughout the world. With full hardware control for 4 doors, the AIM-4SL not only supports advanced features such as **Precision Access** and **38 Access Levels per card**, but can maintain normal functions in off-line mode thanks to its up to **20,000 cardholder/7,000 event local database**. That means you can be assured access to your site won't be compromised even in the most extreme circumstances and your records will be safely stored in memory until communication is restored to the system controller.

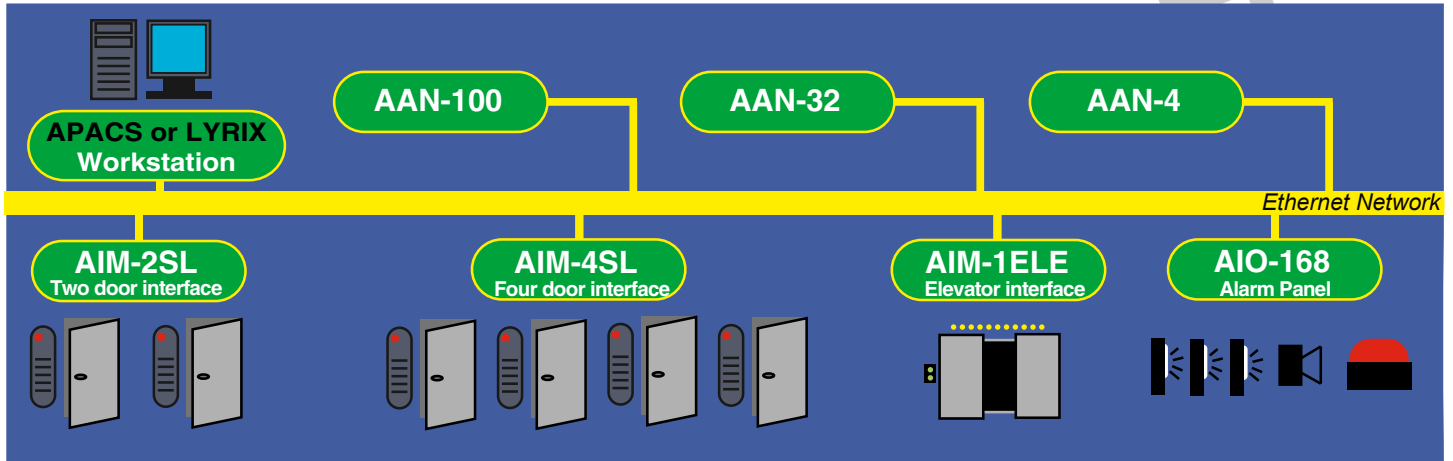
The AIM-4SL links door hardware with one of Apollo's AAN or AAM Series Controllers, providing inputs for a full range of reader types including proximity, smart card, and biometric. Up to **8 card formats** are supported simultaneously allowing you to mix and match different reader types or easily migrate old card populations.

Going beyond the standard, all door hardware inputs for door contact, exit push button and device tamper are supplemented with **4 Supervised auxiliary inputs** for use with motion sensors, panic buttons, door bolt monitors or any other standard input device. A full array of output options are available for the AIM-4SL including 8 on-board SPDT outputs (4 door strike and 4 auxiliary). Not stopping there, the AIM-4SL supports up to **16 Apollo ADA 10/11 Digital Relay Modules** which lock down vulnerable door to interface wiring by only activating in response to an encoded digital signal generated by the AIM-4SL.

The AIM-4SL's extra features not only cut down on costs of installation, but keep maintenance manageable with features such as a field-replaceable communications modules, remote flashable firmware and support for Apollo's ENI-100 Ethernet Network Interface to make your system network-ready in minutes. Combined with advanced surface mount manufacturing technology, Apollo has made the AIM-4SL the standard for demanding sites such as nuclear power facilities, military installations and major corporations worldwide.



Apollo AAN System Overview



Specifications:

- Power Requirements: +12 to +24Vdc @ 250mA
- Dimensions: 7.5 in x 5.5 in (19 x 14 cm)
- Environment:
 - Operating Temperature: 0 to 50° C
 - Storage Temperature: -40 to 85° C
 - Relative Humidity: 0 to 95%, non-condensing
- Weight: 1 Lb (.45 Kg)
- Memory Backup: Capacitor based circuit, no battery required.
- Reader Input Protocols: Wiegand Data1/Data0, Magnetic Clock/Data, Custom Protocols Available
- Approvals: CE, RoHS

Model	Part Number	Description
AIM-4SL	430-400R	4 door Reader Interface Module with supervised inputs & downloadable database (includes ASM-48 plug-in device RS-485 driver)
ENI-100	430-172R	Ethernet Network Interface for connection of AIM-4SL.
APU-1210	460-110R	12V DC Power Supply & Enclosure for AIM-4SL with 120V 8 Amp Switching Power Supply and Battery (30aH)
ASM-48	430-132R	Plug-in RS-485 Communications Driver

3610 Birch Street
 Newport Beach, CA 92660-2619, USA
 Tel: +1 949 852 8178 Fax: +1 949 852 8172
 www.apollo-security.com

